



RRC310 Manual Coater

Coating Equipment

Coating is all about more healthy seedlings per acre per kg of seed planted – for more yield from thicker, healthier stands.

RRC310 Manual Coater is designed for an easy and completely manual and also designed for coating seeds in small quantity. It is suitable for vegetable seeds and or all field crop seeds to do coating trials or coating for commercial. The machines can be also perfectly adapted for pelleting and or encrusting seeds. Its capacity depend on various protocols and size volume of seeds.

We also have semi-automatic and full automation of this coater size available.

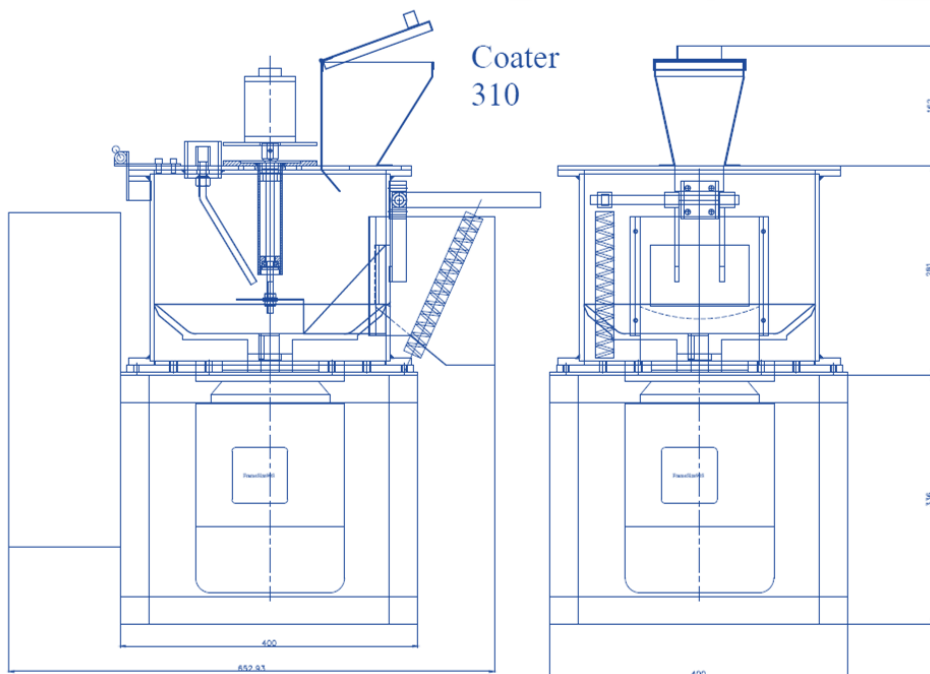


Option

- Adding peristaltic pump for more precise dosage is possible.
- Adding air compressor for coating or pelleting seeds.
- Adaptation to other power supplies are possible.
- Adding the pelleting powder is possible.
- The mixing tank with the capacity 30 or 50 Liter.

Features and Benefits

- Suitable for all vegetable seeds and all field crops.
- Specially designed for amount of seed coating from 200 – 2,000 g/batch.
- Coating for small capacity in commercial line.
- Perfect for coating, pelleting and encrusting seeds.
- Easy to use and operate.
- The best quality/price ratio.



Technical Data

Mixing system	Rotor-Stator-Principle
Treatment distribution	Liquid by spinning disk, directly (manually), powder directly (manually)
Batch quantity	0.2 - 2 kg
Max. Capacity/Hour	10 - 100 kg/hour
Compressed air requirement	6 - 8 bar
Dimensions	580 mm(w) x 610 mm(l) x 800 mm(h)
Mixing chamber	310 mm(Ø) x 263 mm(h)
Total Weight	95 kg
Peristaltic pump	Optional

Power supply	Rotary disk	750 W, 220 VAC 50 Hz
	Spinning disk	100 W, 24 VDC
	Total power consumption	800 W 220 VAC 1 Phase
	Adaptation to other power supplies are possible	

* Batch Capacity information base on Maize

** Capacities per Hrs. can also depend on various protocols and size/volume of seeds

For further questions, please do not hesitate to contact us

Rhino

5/39-40 Phaholyothin Road Soi 73, Sanarnbin,
Don Mueng 10210 Bangkok, Thailand
Office: +66(0)2-531-2570
Email: info@rhino-research.com

www.rhino-research.com
www.dryingbeads.org

