

## Coating Equipment

Higher seedling survival with coated seed at same seeding rates – more plants, more yield. Don't get hung up on the number of seeds in a pound – focus on the number of successfully-established seedlings per pound planted.

Seed coating offers many benefits in comparison to traditional methods that require the use of expensive and complex chemical application equipment

The RRC800S Semi-Automatic Coater has been designed for coating agro seeds in semi- automatic mode by timer switch control panel for big commercial lines. The machines also can be adapted for encrusting or pelleting seeds with a powder feeder.

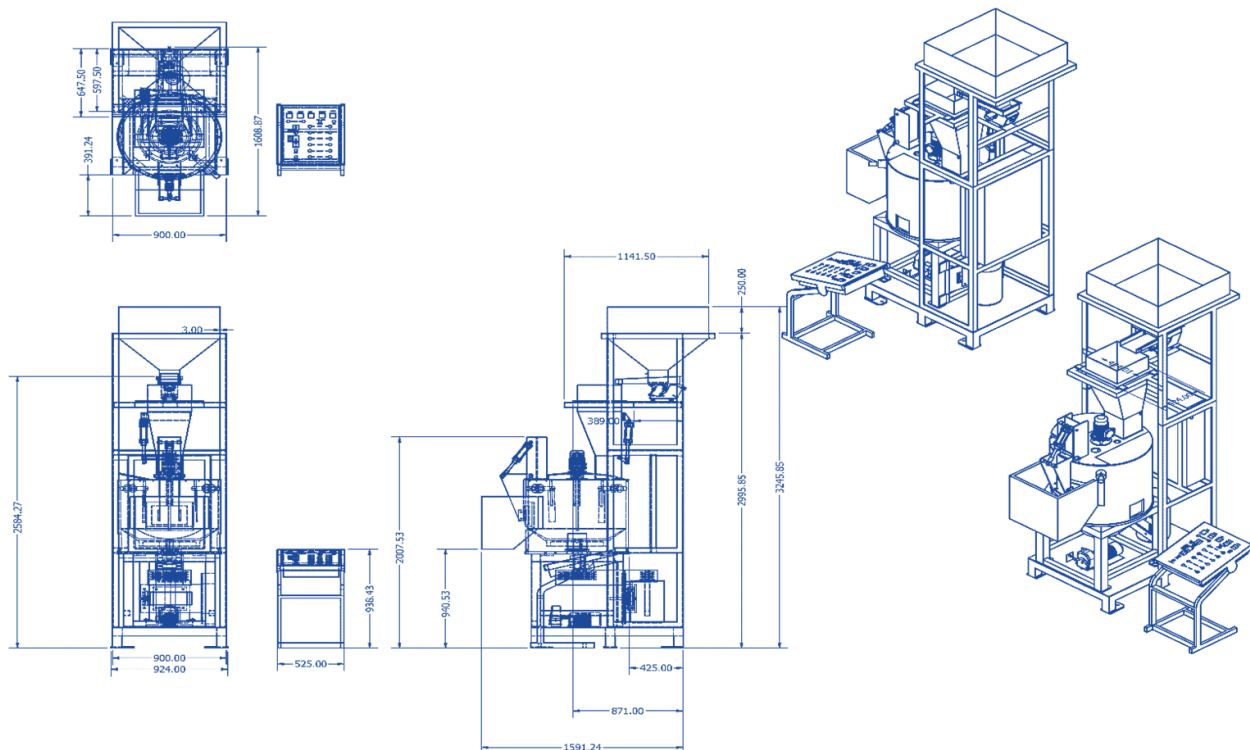


### Option

- Adaptation for encrusting seeds with powder feeder
- Adding load cell for measurement
- Adaptation to Other power supplies are possible

### Features and Benefits

- Switch and timer controlled
- Semi-Automatic seed measurement feeding
- Automatic chemical dosing
- Excellent recovery
- Soft emptying system
- No seed damage
- Suitable for coating agro seeds
- Easy to operate
- The best quality/price ratio



## Technical Data

<b>Mixing system</b>	Rotor-Stator-Principle
<b>Treatment distribution</b>	Liquid by spinning disk
<b>Batch quantity</b>	20-35 kg*
<b>Max. Capacity/Hour</b>	2,1000-4,200kg/hour **
<b>Compressed air requirement</b>	8 - 10 bars/ 1,600 liters/min / 500 liters capacity
<b>Dimensions</b>	1,080 mm(w) x 1,600 mm(l) x 3,350 mm(h)
<b>Mixing chamber</b>	800 mm(Ø) x 680 mm(h)
<b>Total Weight</b>	1,500 kg (approximately)
<b>Peristaltic pump</b>	Included

<b>Power supply</b>	<b>Rotary disk</b>	3,750 W, 380VAC 50 Hz
	<b>Spinning disk</b>	250 W, 380VAC 50 Hz
	<b>Total power consumption</b>	10 kW, 380VAC 3 Phase
	Adaptation to other power supplies are possible	

# RHINO

Rung Rueng Consulting Co.,Ltd. / Rhino

🏠 5/39 Paholyothin Rd, Soi 73, Sanarbin, Don Muang Bangkok 10210 Thailand

☎ +66 (0)2 251 2570

✉ info@rhino-research.com

🌐 www.rhino-research.com