

Coating Equipment

Coating allows and increases the ability to use on a variety of surfaces and in extreme situations, it minimizes soil cultivation requirements and provides for a reduction of irrigation, as well as the coating giving a controlled application of fertilizer and plant protection agents.

Seed Coating machine model RRC150 Lab is 150 mm. lab equipment is handy, affordable and easy to operate. Ideal for learning – training, for protocol and recipes development. It is perfectly designed for small capacity suitable for vegetable seed and field crops seeds.

Moreover, it is also perfectly sized for coating and encrusting as well as pelleting of seed samples,

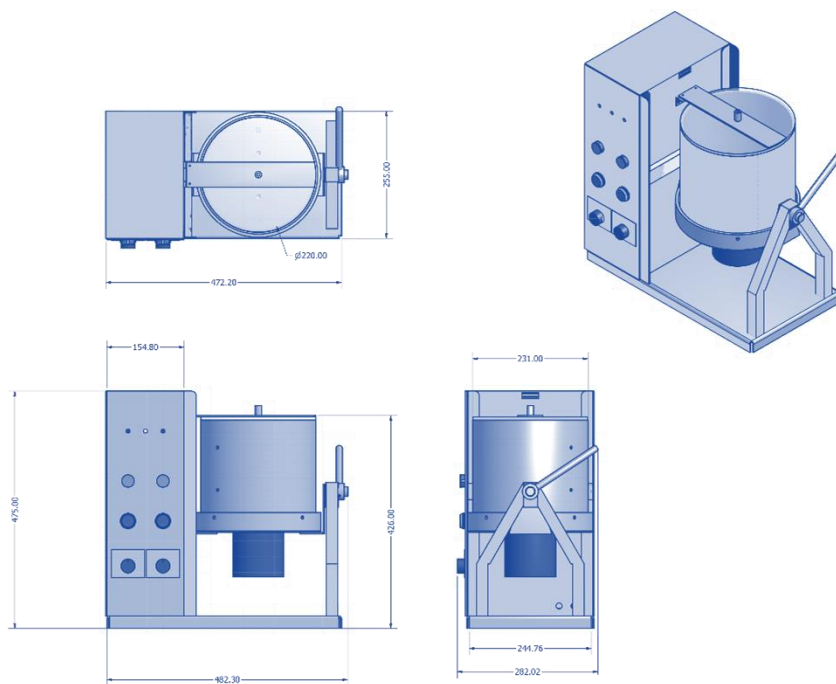


Option

- Adding peristaltic pump for more precise dosage applied
- Adding air compressor for coating or pelleting with small seeds
- Adding Mini Seed dryer for drying seed after treatment
- Adaptation to using battery DC power for work in field
- Adaptation to other power supplies for different countries are possible

Features and Benefits

- Suitable for all vegetable seeds, flower seeds and all field crops
- Specially designed for small amount of seeds coating from 20 to 100 gram/batch
- Very accurate dosing of seed coating, dressing homogenous distribution and good seeds coverage
- Development of coating recipes
- Perfect for coating, pelleting and encrusting seeds
- Easy to use/operate and maintenance
- Shortest cleaning time when changing seed varieties
- The best quality/price ratio



Technical Data

Mixing system	Rotor-Stator-Principle
Treatment distribution	Liquid by spinning disk, directly (manually), powder directly (manually)
Batch quantity	20 – 100 g
Max. Cap/Hour	Only manual
Compressed air requirement	Not necessary, but advised connection and control pressure available of the valve.
Dimensions	W 251 mm/ L400 mm/ H 420 mm
Total Weight	25 kg.
Mixing chamber	150 mm (Ø) x 150 mm (h)

Power supply	Rotary disk	100 W, 24 VDC
	Spinning disk	15 W, 12 VDC
	Total power consumption	100 W 220 VAC
	Adaptation to other power supplies are possible	

For further questions, please do not hesitate to contact us

Rhino

5/39-40 Paholyothin Road Soi 73, Sanambin,
Don Mueng 10210 Bangkok, Thailand
Office: +66(0)2-531-2570
Email: info@rhino-research.com

www.rhino-research.com
www.dryingbeads.org



Rung Rueng Consulting Co.,Ltd. / Rhino